

# **REFRIGERATOR**



**Gibson**

## TABLE OF CONTENTS

Record Serial/Model Numbers .....	2
Safety .....	2-3
First Steps .....	4-5
Energy Saving Tips .....	5
Setting the Temperature Control .....	5
Refrigerator Features .....	5
Care and Cleaning .....	6
Service Information (Canada) .....	6
Warranty (United States) .....	7
Warranty (Canada) .....	8
Troubleshooting Guide .....	9-10

## SERIAL / MODEL NUMBERS

### READ AND SAVE THESE INSTRUCTIONS

This Owner's Guide provides specific operating instructions for your model. Use your refrigerator only as instructed in this guide. These instructions are not meant to cover every possible condition and situation that may occur. Common sense and caution must be practiced when installing, operating, and maintaining any appliance.

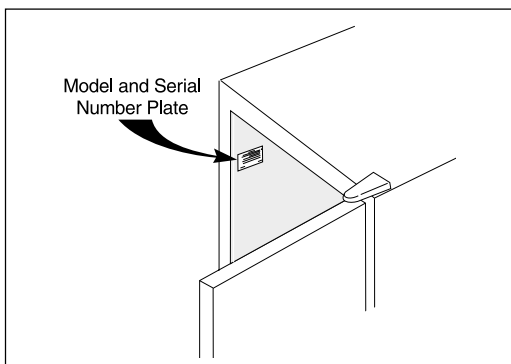
### Record Your Model and Serial Numbers

Record the model and serial numbers in the space provided below. The serial plate is located on the upper left wall inside the refrigerator.

Model Number: \_\_\_\_\_

Serial Number: \_\_\_\_\_

Purchase Date: \_\_\_\_\_



## IMPORTANT SAFETY INSTRUCTIONS

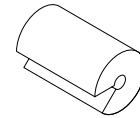
### READ ALL INSTRUCTIONS BEFORE USING THIS REFRIGERATOR.

#### **! WARNING** FOR YOUR SAFETY

Do not store or use gasoline, or other flammable vapors and liquids in the vicinity of this or any other appliance. Read product labels for flammability and other warnings.

#### **! WARNING** CHILD SAFETY

- Destroy carton, plastic bags, and any exterior wrapping material immediately after the refrigerator is unpacked. Children should never use these items to play. Cartons covered with rugs, bedspreads, plastic sheets or stretch wrap may become airtight chambers, and can quickly cause suffocation.
- Remove all staples from the carton. Staples can cause severe cuts, and destroy finishes if they come in contact with other appliances or furniture.
- An empty, discarded ice box, refrigerator, or freezer is a very dangerous attraction to children.
- Remove and discard any spacers used to secure the shelves during shipping. Small objects are a choke hazard to children.



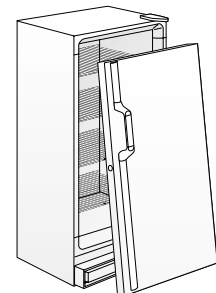
Remove the door(s) of any appliance that is not in use, even if it is being discarded.

### Proper Disposal of Your Refrigerator/Freezer

**! WARNING** Risk of child entrapment. Child entrapment and suffocation are not problems of the past. Junked or abandoned refrigerators or freezers are still dangerous — even if they will sit for "just a few days." If you are getting rid of your old refrigerator or freezer, please follow the instructions below to help prevent accidents.

#### BEFORE YOU THROW AWAY YOUR OLD REFRIGERATOR/FREEZER:

- Remove doors.
- Leave shelves in place so children may not easily climb inside.



**⚠ WARNING ELECTRICAL INFORMATION**

These guidelines must be followed to ensure that safety mechanisms in the design of this refrigerator will operate properly.

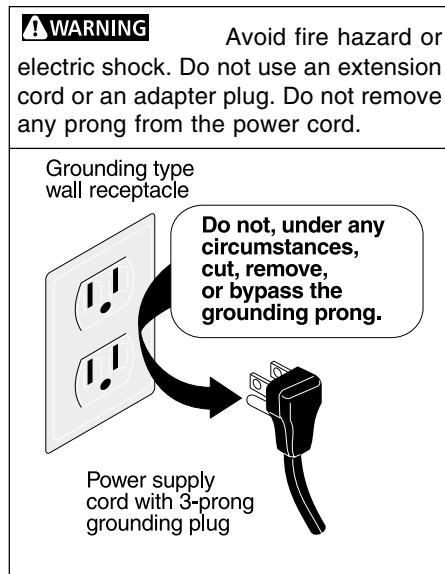
- **Refrigerator must be plugged into its own 115 Volt, 60 Hz., AC only electric outlet.** The power cord of the appliance is equipped with a three-prong grounding plug for your protection against shock hazards. It must be plugged directly into a properly grounded three-prong receptacle. The receptacle must be installed in accordance with local codes and ordinances. Consult a qualified electrician. **Do not use an extension cord or adapter plug.**
- If voltage varies by 10% or more, performance of your refrigerator may be affected. Operating refrigerator with insufficient power can damage the compressor.
- To prevent the refrigerator from being turned off accidentally, do not plug unit into an outlet controlled by a wall switch or pull cord.
- Do not pinch, knot, or bend the cord in any manner.

**⚠ WARNING OTHER PRECAUTIONS**

- Never unplug the refrigerator by pulling on the cord. Always grip the plug firmly, and pull straight out from the receptacle.
- To avoid electrical shock, unplug the refrigerator before cleaning and before replacing a light bulb.

**NOTE:** Turning the temperature control to OFF turns off the compressor, but does not disconnect the power to the light bulb or other electrical components.

- Do not operate refrigerator in the presence of explosive fumes.

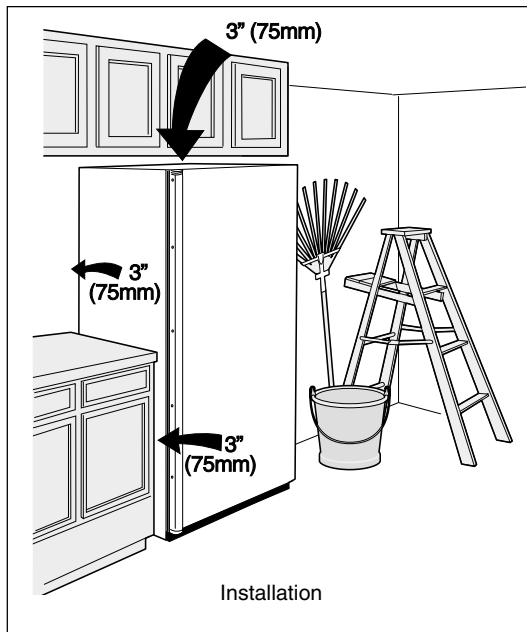


## FIRST STEPS

This Owner's Guide provides specific operating instructions for your model. Use the refrigerator only as instructed in this Owner's Guide. **Before starting the refrigerator, follow these important first steps.**

### INSTALLATION

- Choose a place that is near a grounded electrical outlet. **Do Not** use an extension cord or an adapter plug.
- For the most efficient operation, the refrigerator should be located where surrounding temperatures will not drop below 10° F (-12° C) or exceed 110° F (43° C). The Freeze Control Feature is designed to automatically maintain the selected interior refrigerator temperature within these boundaries.
- *Allow space around the unit for good air circulation.* Leave a 3 inch (75 mm) space on all sides of the refrigerator for adequate circulation.



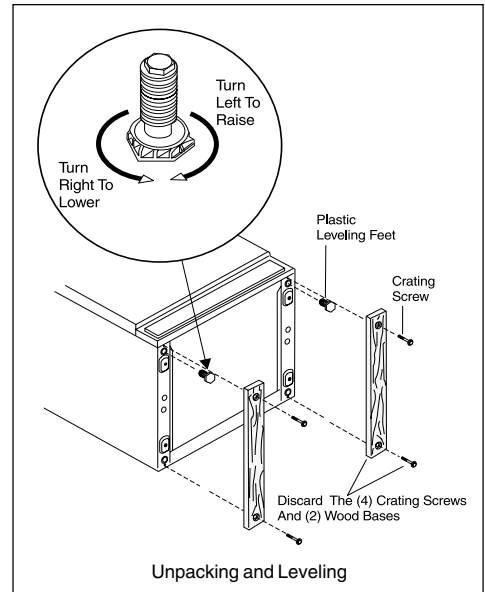
**NOTE:** The exterior walls of the refrigerator may become quite warm as the compressor works to transfer heat from the inside. Temperatures as much as 30° F warmer than room temperature can be expected. For this reason it is particularly important in hotter climates to allow enough space for air circulation around your refrigerator.

### LEVELING

The refrigerator must have all bottom corners resting firmly on a solid floor. The floor must be strong enough to support a fully loaded refrigerator. **NOTE:** It is **Very Important** for your refrigerator to be level in order to function properly. If the refrigerator is not leveled during installation, the door may be misaligned and not close or seal properly, causing cooling, frost, or moisture problems.

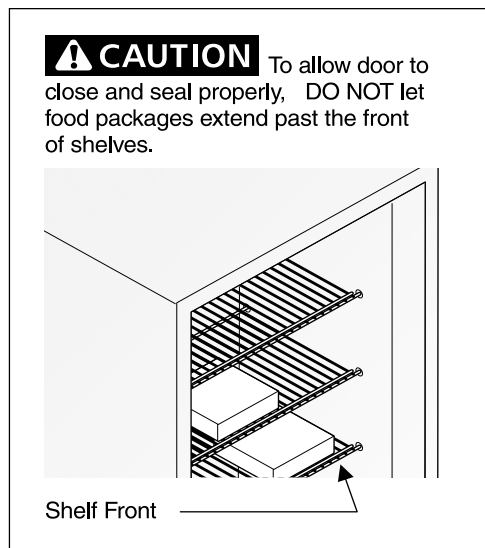
### To Level Your Refrigerator:

After discarding crating screws and wood base, use a carpenter's level to level the refrigerator from front-to-back. Adjust the plastic leveling feet in front, ½ bubble higher, so that the door closes easily when left halfway open.



### CLEANING

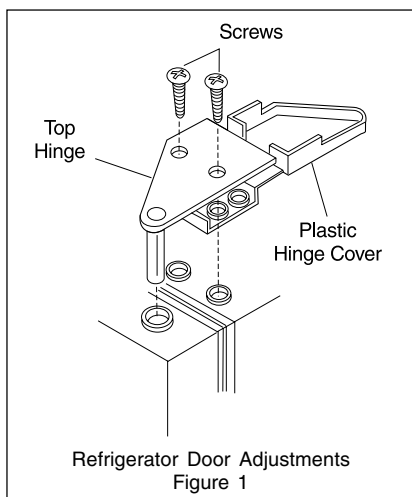
- Wash any removable parts of the refrigerator interior, and exterior with mild detergent and warm water. Wipe dry. **Do not use harsh cleaners on these surfaces.**
- Do not use razor blades or other sharp instruments, which can scratch the appliance surface when removing adhesive labels. Any glue left from the tape can be removed with a mixture of warm water and mild detergent, or touch the residue with the sticky side of tape already removed. **Do not remove the serial plate.**



## DOOR REMOVAL

If door must be removed to fit through narrow doorways:

1. Gently lay refrigerator on its back, on a throw rug or blanket.
2. Remove the base panel by unscrewing two screws from front of base panel.
3. At the top of the cabinet, lift up plastic hinge cover, and fold back. (Figure 1)
4. Use a Phillips® screwdriver to loosen and retighten the screws on the top hinge to ensure a secure assembly, and prevent hinge slippage.
5. Remove the top hinge from cabinet, and lift door off lower hinge pin.
6. After door is removed, remove the two screws from the bottom hinge.
7. To replace door, reverse above order.



## ENERGY SAVING TIPS



- Install the refrigerator in the coolest part of the room, out of direct sunlight and away from heating ducts or registers. Do not place the refrigerator next to heat-producing appliances such as a range, oven or dishwasher.
- Level the refrigerator so the doors close tightly.
- Do not overcrowd the refrigerator or block cold air vents. Doing so causes the refrigerator to run longer and use more energy. Shelves should not be lined with aluminum foil, wax paper or paper toweling. Liners interfere with cold air circulation, making the refrigerator less efficient, which could cause food spoilage.

- Cover foods and wipe containers dry before placing them in the refrigerator. This cuts down on moisture build-up inside the unit.
- Organize the refrigerator to reduce door openings. Remove as many items as needed at one time and close the door as soon as possible.

## SETTING THE TEMPERATURE CONTROL

### COOL DOWN PERIOD

For safe food storage, allow 4 hours for the refrigerator to cool down completely. The refrigerator will run continuously for the first several hours.

### TEMPERATURE CONTROL

The temperature control is located inside the refrigerator. The temperature is factory preset to provide satisfactory food storage temperatures. However, the temperature control is adjustable to provide a range of temperatures for your personal satisfaction. If a colder temperature is desired, turn the temperature control knob toward COLDEST and allow several hours for temperatures to stabilize between adjustments.

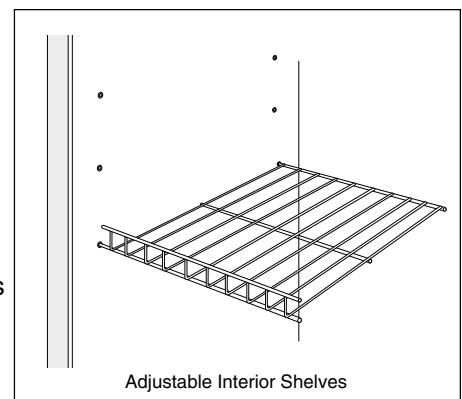
## REFRIGERATOR FEATURES

### INTERIOR LIGHT

The light comes on automatically when the door is opened. To replace the light bulb, turn the temperature control to OFF and **unplug the electrical cord**. Replace the old bulb with a bulb of the same wattage.

### ADJUSTABLE INTERIOR SHELVES

Multi-position adjustable interior shelves can be moved to any position for larger or smaller packages. The shipping spacers that stabilize the shelves for shipping should be removed and discarded.



### AUTOMATIC FREEZE CONTROL

The Freeze Control Feature will maintain proper interior refrigerator temperature even when the refrigerator is placed in an area where the surrounding temperature drops down to 10° F (-12° C).

## CARE AND CLEANING

### CLEANING THE INSIDE

Wash inside surfaces of the refrigerator with a solution of two tablespoons of baking soda in one quart (1.136 litres) warm water. Rinse and dry. Wring excess water out of the sponge or cloth when cleaning in the area of the controls, or any electrical parts.

Wash the removable parts with the baking soda solution mentioned above, or mild detergent and warm water. Rinse and dry. **Never** use metallic scouring pads, brushes, abrasive cleaners, or alkaline solutions on any surface. Do not wash removable parts in a dishwasher.

### CLEANING THE OUTSIDE

Wash the cabinet with warm water and mild liquid detergent. Rinse well and wipe dry with a clean soft cloth. Replace parts and food.

**! WARNING** If leaving the refrigerator door open while on vacation, make certain that children cannot get into the refrigerator and become entrapped.

### VACATION AND MOVING TIPS

#### Vacations:

If the refrigerator will not be used for several months:

- Remove all food and unplug the power cord.
- Clean and dry the interior thoroughly.
- Leave the refrigerator door open slightly, blocking it open if necessary, to prevent odor and mold growth.

**Moving:** When moving the refrigerator, follow these guidelines to prevent damage:

- Disconnect the power cord plug from the wall outlet.
- Remove foods and clean the refrigerator.
- Secure all loose items by taping them securely in place to prevent damage.
- In the moving vehicle, secure refrigerator in an upright position to prevent movement. Also protect outside of refrigerator with a blanket, or similar item.

## SERVICE INFORMATION (CANADA)

To avoid unnecessary cost and inconvenience, make a few simple checks before calling for service. Common occurrences and their solutions can be found in the Avoid Service Checklist. Be sure you have followed the instructions in this manual.

If you are unable to locate the cause of a problem, call for service. Insist on factory service by an authorized FRIGIDAIRE PARTS AND SERVICE depot.

### FRIGIDAIRE PARTS AND SERVICE

All Frigidaire appliances are backed by FRIGIDAIRE PARTS AND SERVICE, one of Canada's largest parts and service networks.

The Frigidaire reputation means you can enjoy complete professional service from one of our hundreds of trained technicians across the country.

#### FRIGIDAIRE PARTS AND SERVICE

7075 Ordan Drive  
Mississauga, Ontario  
L5T 1K6

Place the name, address and telephone number of your service depot in the spaces below.

---

---

---

---

***Product and feature specifications as described or illustrated are subject to change without notice.***

# GIBSON REFRIGERATOR PLATINUM ADVANTAGE WARRANTY

(USA Only)

Your Gibson product is protected by this warranty

	WARRANTY PERIOD	FRIGIDAIRE, THROUGH ITS AUTHORIZED SERVICERS, WILL:	THE CONSUMER WILL BE RESPONSIBLE FOR:
<b>FULL TWO-YEAR WARRANTY</b>	Two years from original purchase date.	Pay all costs for repairing or replacing any parts of this appliance which prove to be defective in materials or workmanship.	Costs of service calls that are listed under <b>NORMAL RESPONSIBILITIES OF THE CONSUMER.*</b>
<b>LIMITED 3RD - 5TH YEAR WARRANTY (Sealed System)</b>	Third through fifth years from original purchase date.	Repair or replace any parts in the Sealed Refrigeration System (compressor, condenser, evaporator, drier and tubing) which prove to be defective in materials or workmanship.	Travel costs of the technician, diagnostic costs and any removal, transportation and reinstallation costs which are required because of service. Costs for labor, parts and transportation other than with respect to the Sealed Refrigeration System.
<b>LIMITED 6TH - 10TH YEAR WARRANTY (Compressor Only)</b>	Time periods listed above.	Provide a replacement for any compressor which proves to be defective in workmanship or material.	Diagnostic costs and any removal, transportation and reinstallation costs which are required because of service. Costs for labor, parts and transportation other than the cost of the replacement compressor itself.
<b>LIMITED WARRANTY (Applicable to the State of Alaska)</b>	Time periods listed above.	All of the provisions of the full warranties above and the exclusions listed below apply.	Costs of the technician's travel to the home and any costs for pick up and delivery of the appliance required because of service.

Your appliance is warranted by White Consolidated Industries, Inc. We authorize no person to change or add to any of our obligations under this warranty. Our obligations for service and parts under this warranty must be performed by Frigidaire or an authorized Frigidaire servicer.

## \*NORMAL RESPONSIBILITIES OF THE CONSUMER

**This warranty applies only to products in ordinary household use, and the consumer is responsible for the items listed below:**

1. Proper use of the appliance in accordance with instructions provided with the product.
2. Proper installation by an authorized servicer in accordance with instructions provided with the appliance and in accordance with all local plumbing, electrical and/or gas codes.
3. Proper connection to a grounded power supply of sufficient voltage, replacement of blown fuses, repair of loose connections or defects in house wiring.
4. Expenses for making the appliance accessible for servicing, such as removal of trim, cupboards, shelves, etc., which are not a part of the appliance when it was shipped from the factory.
5. Damages to finish after installation.
6. Replacement of light bulbs and/or fluorescent tubes (on models with these features).

## EXCLUSIONS

**This warranty does not cover the following:**

1. CONSEQUENTIAL OR INCIDENTAL DAMAGES SUCH AS PROPERTY DAMAGE AND INCIDENTAL EXPENSES RESULTING FROM ANY BREACH OF THIS WRITTEN OR ANY IMPLIED WARRANTY.  
*Note: Some states do not allow the exclusion or limitation of incidental or consequential damages, so this limitation or exclusion may not apply to you.*
2. Service calls which do not involve malfunction or defects in workmanship or material, or for appliances not in ordinary household use. The consumer shall pay for such service calls.
3. Damages caused by services performed by servicers other than Frigidaire or its authorized servicers; use of parts other than genuine Electrolux Home Products parts; obtained from persons other than such servicers; or external causes such as abuse, misuse, inadequate power supply or acts of God.
4. Products with original serial numbers that have been removed or altered and cannot be readily determined.

## IF YOU NEED SERVICE

Keep your bill of sale, delivery slip, or some other appropriate payment record. The date on the bill establishes the warranty period should service be required. If service is performed, it is in your best interest to obtain and keep all receipts. This written warranty gives you specific legal rights. You may also have other rights that vary from state to state. Service under this warranty must be obtained by contacting Electrolux Home Products:

**800•944•9044**  
Electrolux Home Products  
P.O. Box 212378  
Augusta, GA 30917

Product features or specifications as described or illustrated are subject to change without notice. All warranties are made by White Consolidated Industries, Inc. This warranty applies only in the 50 states of the U.S.A. and Puerto Rico.

## **WARRANTY IN CANADA REFRIGERATORS (FROST FREE)**

### **WARRANTOR:**

#### **FRIGIDAIRE HOME PRODUCTS OF CANADA**

7075 Ordan Drive  
Mississauga, Ontario  
L5T 1K6

This refrigerator is a branded product of Electrolux Home Products.

For service under this warranty, contact your dealer/retailer, authorized **FRIGIDAIRE PARTS AND SERVICE** depot, or:

#### **ELECTROLUX HOME PRODUCTS PARTS AND SERVICE**

7075 Ordan Drive  
Mississauga, Ontario  
L5T 1K6  
Phone: (905) 565-9200  
Fax: (905) 565-0937

### **WARRANTY PERIOD:**

For the first year after purchase by the original consumer/owner:

For the second, third, fourth, fifth, sixth, seventh, eighth, ninth and tenth year after purchase by the original consumer/owner:

### **WARRANTOR WILL THROUGH ITS AUTHORIZED SERVICE DEPOT:**

Pay cost to repair or replace any defective parts (including service and labour charge).

Pay cost (including service and labour charge) to repair or replace defective parts of the sealed refrigeration system and motor compressor (consisting of evaporator, condenser, interconnecting tubing, drier and refrigeration charge).

### **WARRANTY APPLIES TO:**

- a) Products purchased and installed in Canada for personal single family household use.
- b) Defects resulting or arising out of the manufacturing process.
- c) Products bearing legible manufacturer's model and serial numbers.
- d) Replacement parts only for the remainder of the original warranty.

### **WARRANTY DOES NOT APPLY TO:**

- a) Transportation damage.
- b) Supply and replacement of porcelain, fuses, glass and light bulbs.
- c) Parts and service supplied or obtained from other than **FRIGIDAIRE PARTS AND SERVICE** or **FRIGIDAIRE PARTS AND SERVICE** authorized depots.
- d) Proper installation, control setting and care of finish.

### **CONSUMER/OWNER RESPONSIBILITY:**

- a) To provide proof of the original date of purchase by means of a bill of sale or payment.
- b) Supply and replacement of porcelain, fuses, glass and light bulbs.
- c) To ensure proper power supply and connection of the appliance to same.
- d) Proper installation, control setting and care of finish.

This warranty is in addition to any statutory warranties contained in any applicable legislation. The terms and conditions of this warranty are not intended to exclude or limit your rights under those statutes. The warrantor however reserves the right to charge transportation and travelling costs for distances in excess of 48 kilometres (30 miles) from the nearest **FRIGIDAIRE PARTS AND SERVICE** authorized service depot.

This warranty plus the statutory warranties mentioned are the only warranties given to the consumer/owner for this product.



<b>TROUBLESHOOTING GUIDE</b>		Before calling for service, review this list. It may save you time and expense. This list includes common occurrences that are not the result of defective workmanship or materials in this appliance.
<b>PROBLEM</b>	<b>CAUSE</b>	<b>CORRECTION</b>
<b>REFRIGERATOR OPERATION</b>		
<b>Refrigerator does not run.</b>	<ul style="list-style-type: none"> <li>• Refrigerator is plugged into a circuit that has a ground fault interrupt.</li> <li>• Temperature control is in the OFF position.</li> <li>• Refrigerator may not be plugged in, or plug may be loose.</li> <li>• House fuse blown or tripped circuit breaker.</li> <li>• Power outage.</li> </ul>	<ul style="list-style-type: none"> <li>• Use another circuit. If you are unsure about the outlet, have it checked by a certified technician.</li> <li>• See <b>Setting the Temperature Control</b> Section.</li> <li>• Ensure plug is tightly pushed into outlet.</li> <li>• Check/replace fuse with a 15 amp time-delay fuse. Reset circuit breaker.</li> <li>• Check house lights. Call local Electric Company.</li> </ul>
<b>Refrigerator runs too much or too long.</b>	<ul style="list-style-type: none"> <li>• Room or outside weather is hot.</li> <li>• Refrigerator has recently been disconnected for a period of time.</li> <li>• Large amounts of warm or hot food have been stored recently.</li> <li>• Doors are opened too frequently or too long.</li> <li>• Refrigerator door may be slightly open.</li> <li>• Temperature Control is set too low.</li> <li>• Refrigerator gasket is dirty, worn, cracked, or poorly fitted.</li> </ul>	<ul style="list-style-type: none"> <li>• It's normal for the refrigerator to work harder under these conditions.</li> <li>• It takes 4 hours for the refrigerator to cool down completely.</li> <li>• Warm food will cause refrigerator to run more until the desired temperature is reached.</li> <li>• Warm air entering the refrigerator causes it to run more. Open doors less often.</li> <li>• See "<b>DOOR PROBLEMS</b>" Section.</li> <li>• Turn control knob to a warmer setting. Allow several hours for the temperature to stabilize.</li> <li>• Clean or change gasket. Leaks in the door seal will cause refrigerator to run longer in order to maintain desired temperature.</li> </ul>
<b>Interior refrigerator temperature is too cold.</b>	<ul style="list-style-type: none"> <li>• Temperature Control is set too low.</li> </ul>	<ul style="list-style-type: none"> <li>• Turn the control to a warmer setting. Allow several hours for the temperature to stabilize.</li> </ul>
<b>Interior refrigerator temperature is too warm.</b>	<ul style="list-style-type: none"> <li>• Temperature Control is set too warm.</li> <li>• Door is kept open too long or is opened too frequently.</li> <li>• Door may not be seating properly.</li> <li>• Large amounts of warm or hot food may have been stored recently.</li> <li>• Refrigerator has recently been disconnected for a period of time.</li> </ul>	<ul style="list-style-type: none"> <li>• Turn control to a colder setting. Allow several hours for the temperature to stabilize.</li> <li>• Warm air enters the refrigerator every time the door is opened. Open the door less often.</li> <li>• See "<b>DOOR PROBLEMS</b>" Section.</li> <li>• Wait until the refrigerator has had a chance to reach its selected temperature.</li> <li>• Refrigerator requires 4 hours to cool down completely.</li> </ul>
<b>Refrigerator external surface temperature is warm.</b>	<ul style="list-style-type: none"> <li>• The external refrigerator walls can be as much as 30°F warmer than room temperature.</li> </ul>	<ul style="list-style-type: none"> <li>• This is normal while the compressor works to transfer heat from inside the refrigerator cabinet.</li> </ul>
<b>SOUND AND NOISE</b>		
<b>Louder sound levels whenever refrigerator is on.</b>	<ul style="list-style-type: none"> <li>• Modern refrigerators have increased storage capacity and more stable temperatures. They require a high efficiency compressor.</li> </ul>	<ul style="list-style-type: none"> <li>• This is normal. When the surrounding noise level is low, you might hear the compressor running while it cools the interior.</li> </ul>
<b>Longer sound levels when compressor comes on.</b>	<ul style="list-style-type: none"> <li>• Refrigerator operates at higher pressures during the start of the ON cycle.</li> </ul>	<ul style="list-style-type: none"> <li>• This is normal. Sound will level off or disappear as refrigerator continues to run.</li> </ul>

PROBLEM	CAUSE	CORRECTION
<b>SOUND AND NOISE (Cont.)</b>		
Fan runs when room temperature is below 45°F.	<ul style="list-style-type: none"> <li>Exterior thermostat has activated the heater and fan.</li> </ul>	<ul style="list-style-type: none"> <li>This is normal.</li> </ul>
Popping or cracking sound when compressor comes on.	<ul style="list-style-type: none"> <li>Metal parts undergo expansion and contraction, as in hot water pipes.</li> </ul>	<ul style="list-style-type: none"> <li>This is normal. Sound will level off or disappear as refrigerator continues to run.</li> </ul>
Bubbling or gurgling sound, like water boiling.	<ul style="list-style-type: none"> <li>Refrigerant (used to cool refrigerator) is circulating throughout the system.</li> </ul>	<ul style="list-style-type: none"> <li>This is normal.</li> </ul>
Vibrating or rattling noise.	<ul style="list-style-type: none"> <li>Refrigerator is not level. It rocks on the floor when it is moved slightly.</li> <li>Refrigerator is touching the wall.</li> </ul>	<ul style="list-style-type: none"> <li>Level the unit. Refer to "Leveling" in the <b>First Steps</b> Section.</li> <li>Relevel the refrigerator or move refrigerator slightly. Refer to "Leveling" in the <b>First Steps</b> Section.</li> </ul>
Snapping Sound.	<ul style="list-style-type: none"> <li>Cold Control turning the refrigerator on and off.</li> </ul>	<ul style="list-style-type: none"> <li>This is normal.</li> </ul>
<b>WATER/MOISTURE/FROST INSIDE REFRIGERATOR</b>		
Moisture forms on inside of refrigerator walls.	<ul style="list-style-type: none"> <li>Weather is hot and humid.</li> <li>Door may not be seating properly.</li> <li>Door is kept open too long, or is opened too frequently.</li> </ul>	<ul style="list-style-type: none"> <li>This is normal.</li> <li>See "<b>DOOR PROBLEMS</b>" Section.</li> <li>Open the door less often.</li> </ul>
<b>WATER/MOISTURE/FROST OUTSIDE REFRIGERATOR</b>		
Moisture forms on outside of refrigerator.	<ul style="list-style-type: none"> <li>Door may not be seating properly, causing the cold air from inside the refrigerator to meet warm moist air from outside.</li> </ul>	<ul style="list-style-type: none"> <li>See "<b>DOOR PROBLEMS</b>" Section.</li> </ul>
<b>ODOR IN REFRIGERATOR</b>		
Odors in refrigerator.	<ul style="list-style-type: none"> <li>Interior needs to be cleaned.</li> <li>Foods with strong odors are in the refrigerator.</li> </ul>	<ul style="list-style-type: none"> <li>Clean interior with sponge, warm water, and baking soda.</li> <li>Cover the food tightly.</li> </ul>
<b>DOOR PROBLEMS</b>		
Door will not close.	<ul style="list-style-type: none"> <li>Refrigerator is not level. It rocks on the floor when it is moved slightly.</li> </ul>	<ul style="list-style-type: none"> <li>This condition can force the cabinet out of square and misalign the door. Refer to "Leveling" in the <b>First Steps</b> Section.</li> </ul>
<b>LIGHT BULB IS NOT ON</b>		
Light bulb is not on.	<ul style="list-style-type: none"> <li>Light bulb is burned out.</li> <li>No electric current is reaching the refrigerator.</li> </ul>	<ul style="list-style-type: none"> <li>Follow directions under "Interior Light" in the <b>Refrigerator Features</b> Section.</li> <li>See "<b>REFRIGERATOR OPERATION</b>" Section.</li> </ul>

# RÉFRIGÉRATEUR



**Gibson**

## TABLE DES MATIERES

Inscrivez les numéros de	
Série et de modèle .....	2
Sécurité .....	2-3
Pour bien commencer .....	4-5
Conseils pour économiser l'énergie ....	5
Réglage de la commande	
de température .....	5
Caractéristiques du réfrigérateur .....	5
Entretien et nettoyage .....	6
Information sur le service	
après-vente .....	6
Canada - Garantie .....	7
Liste de contrôle anti-panne .....	8-9

## SÉRIE / MODÈLE NUMEROS

### LISEZ ET CONSERVEZ CES INSTRUCTIONS

Ce Guide de l'utilisateur donne des instructions particulières à ce modèle. Ne utiliser le réfrigérateur que de la façon indiquée dans ce guide. Les instructions indiquées dans ce guide ne couvrent pas toutes les situations qui peuvent se présenter. Usez de bons sens et de prudence pour installer, faire fonctionner et entretenir cet appareil.

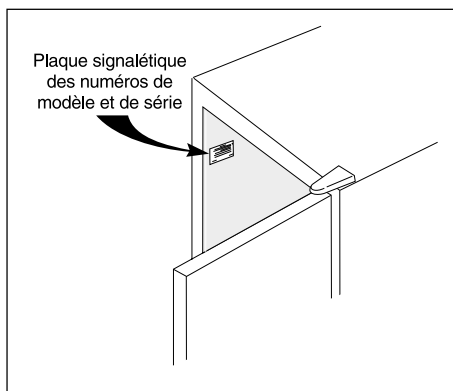
### Inscrivez les numéros de série et de modèle

Inscrivez ci-dessous le numéro de modèle et le numéro de ce réfrigérateur. La plaque signalétique est située dans le haut du mur gauche à l'intérieur du réfrigérateur.

N° de modèle: \_\_\_\_\_

N° de série: \_\_\_\_\_

Date de l'achat: \_\_\_\_\_



## IMPORTANTES MESURES DE SÉCURITÉ

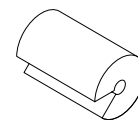
### LISEZ TOUTES CES INSTRUCTIONS AVANT D'UTILISER LE RÉFRIGÉRATEUR

#### **AVERTISSEMENT** POUR VOTRE SÉCURITÉ

N'entreposez pas et n'utilisez pas d'essence ou autres vapeurs et liquides inflammables à proximité de cet appareil ou d'un autre. Lisez les étiquettes donnant les caractéristiques d'inflammabilité et autres avertissements.

#### **AVERTISSEMENT** SÉCURITÉ DES ENFANTS

- Détruisez le cartonnage, les sacs plastiques et tout matériau d'emballage immédiatement après déballage du réfrigérateur. Les enfants ne devraient jamais se servir de ces articles pour jouer. Les cartonnages recouverts de tapis, housses plastiques, couvertures ou matériaux extensibles risquent en effet de ne pas laisser passer d'air et d'asphyxier.
- Enlevez toutes les agrafes; elles risquent de blesser gravement et d'endommager les finis d'autres appareils et meubles.
- Un réfrigérateur ou congélateur ou encore une glacière vide risquent d'attirer dangereusement les enfants.
- Retirez et jetez toutes les entretoises employées pour fixer les étagères pendant l'expédition. Les petits objets sont un risque d'obstruction aux enfants.



**Enlevez la porte de tout appareil non utilisé, même s'il a été mis de côté.**

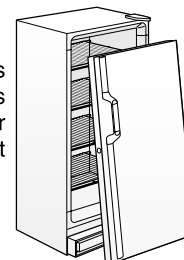
#### Mise au rebut appropriée de Votre Congélateur / Réfrigérateur

##### **AVERTISSEMENT**

Risque d'enfermement des jeunes enfants. Les risques d'enfermement et de suffocation des jeunes enfants sont bien réels. Les réfrigérateurs ou congélateurs mis au rebut ou non utilisés présentent toujours un danger - même s'ils ne sont entreposés "que pour quelques jours". Si vous allez débarrasser de votre vieux réfrigérateur ou congélateur veuillez suivre les instructions ci-dessous pour éviter tout risque d'accident.

**AVANT DE VOUS DEBARASSER DE VOTRE VIEUX RÉFRIGÉRATEUR OU CONGÉLATEUR:**

- Retirer les portes.
- Laisser les étagères en place pour que les enfants ne grimpent pas facilement dedans.



## **⚠ AVERTISSEMENT** ÉLECTRICITÉ

**Ces directives doivent être suivies pour que les mécanismes de sécurité de ce réfrigérateur fonctionnent correctement.**

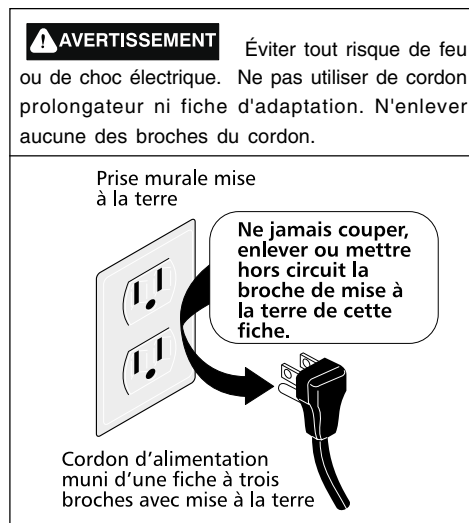
- **Le réfrigérateur doit être branché dans sa propre prise de 115 volts, 60 Hz, CA seulement.** Le cordon de l'appareil est muni d'une fiche à trois broches avec mise à la terre pour éviter les décharges électriques. Elle doit être branchée directement dans une prise murale mise à la terre, à trois alvéoles, installée conformément aux codes et règlements locaux. Consultez un électricien qualifié. N'utilisez pas de cordon prolongateur ni de fiche d'adaptation.
- Si la tension varie de 10% ou plus, les performances de votre réfrigérateur risquent d'en être affectées, et le moteur endommagé. Un tel dommage n'est pas couvert par la garantie. Si vous soupçonnez que la tension est élevée ou basse, communiquez avec votre compagnie d'électricité.
- Pour éviter que le réfrigérateur ne soit accidentellement débranché, ne le branchez pas dans une prise commandée par un interrupteur mural ou un cordon de tirage.
- Ne pincez pas, ne tordez pas, ne nouez pas le cordon d'alimentation.

## **⚠ AVERTISSEMENT** AUTRES PRÉCAUTIONS

- Ne débranchez pas le réfrigérateur en tirant sur le cordon. Saisissez toujours bien la fiche et sortez-la de la prise en tirant droit vers vous.
- Pour éviter les décharges électriques, débranchez le réfrigérateur avant de le nettoyer ou de remplacer une ampoule.

**REMARQUE:** En mettant la commande sur «OFF» (ARRÊT), vous ne coupez pas l'alimentation de l'ampoule ni des autres composants électriques, mais du compresseur seulement.

- Ne faites pas fonctionner le réfrigérateur en présence de vapeurs explosives.

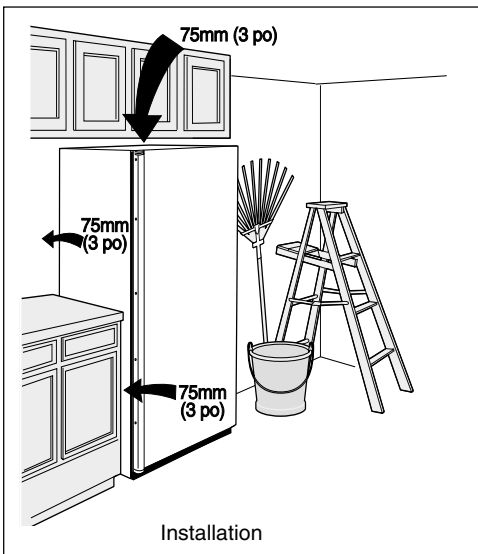


## POUR BIEN COMMENCER

Ce guide de l'utilisateur donne des directives particulières à ce modèle. Ne utiliser le réfrigérateur que de la façon indiquée dans ce guide. **Avant de mettre en marche le réfrigérateur, prener connaissance des points suivants:**

### EMPLACEMENT

- Choisissez un endroit près d'une prise mise à la terre. N'utilisez PAS de cordon prolongateur ni de fiche d'adaptation.
- Pour un fonctionnement optimal, le réfrigérateur doit être placé dans un endroit où la température ambiante ne dépasse 10° F (-12° C) ni 43° C (110° F). Le régulateur de gel est conçu pour maintenir automatiquement la température intérieure du réfrigérateur au niveau sélectionné à l'intérieur de ces limites.
- *Laissez un espace de 75 mm (3 pouces) de chaque côté du réfrigérateur pour assurer une bonne circulation de l'air.*



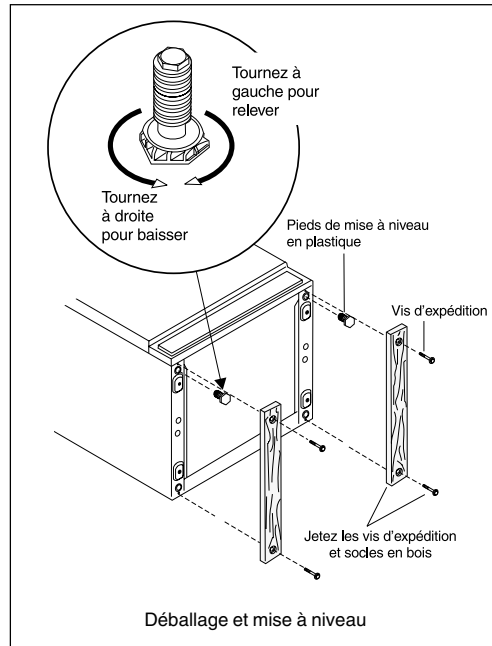
**REMARQUE:** Les murs extérieurs du réfrigérateur peuvent devenir très chauds au fur et à mesure que le compresseur fonctionne pour garder la température intérieure froide. Les températures peuvent aller jusqu'à 17°C au dessus de la température ambiante. Pour cette raison il est très important, dans les régions à climat chaud, de s'assurer qu'il y a assez d'espace autour du réfrigérateur pour que l'air circule librement.

### MISE À NIVEAU

Les quatre coins inférieurs de réfrigérateur doivent reposer fermement sur un plancher solide. Le plancher doit être assez résistant pour supporter le poids du réfrigérateur rempli. **NOTE:** Il est TRÈS IMPORTANT pour votre réfrigérateur d'être nivelé afin de fonctionner bien. Si le réfrigérateur n'est pas nivelé pendant l'installation, la porte peut être non alignée, ne ferme pas, ou ne scelle bien, causant des problèmes de refroidir, gelé, ou d'humidité.

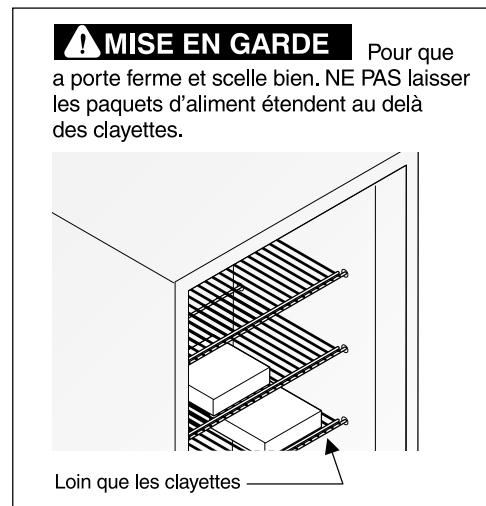
### Pour mettre le réfrigérateur au niveau:

Après avoir jeté la base de bois et les vis d'emballage, utiliser un niveau du charpentier pour niveler le réfrigérateur du devant à le dos. Ajuster les pieds en matière plastique qui nivellent dans le devant, 1/2 bouillonne plus haut, pour que la porte ferme facilement quand elle est partiellement ouverte.



### NETTOYAGE

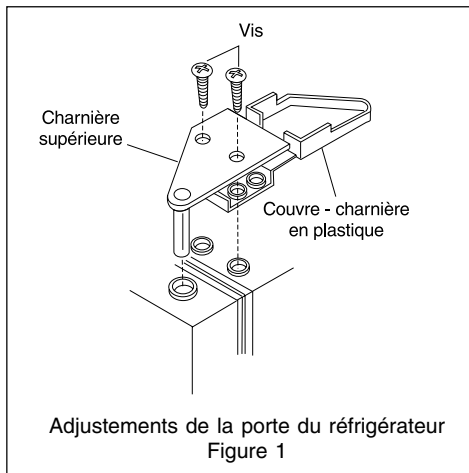
- Nettoyez toutes les pièces amovibles, l'intérieur et l'extérieur avec de l'eau tiède et un détergent doux. Essuyez. **N'utilisez pas d'abrasifs puissants sur ces surfaces.**
- Pour enlever les étiquettes adhésives, n'utilisez pas de lame de rasoir ou autre instrument tranchant risquant de rayer le fini. Enlevez la colle restante du ruban ou de l'étiquette sur l'énergie avec un mélange d'eau tiède et de détergent doux ou bien avec le côté collant du ruban ou de l'étiquette enlevée. **N'enlevez pas la plaque signalétique.**



## DÉPOSE DE LA PORTE

Pour enlever la porte s'il faut passer dans des couloirs étroits:

1. Placez doucement le réfrigérateur sur l'arrière en le reposant sur une couverture ou un tapis.
2. Enlevez le panneau inférieur en dévissant les deux vis de l'avant du panneau.
3. En haut de la caisse, enlevez le couvre-charnière en plastique et rabattez-le (Figure 1).
4. À l'aide d'un tournevis Phillips®, desserrez puis resserrez les vis sur la charnière supérieure pour que l'ensemble soit bien fixé et que la charnière ne glisse pas.
5. Enlevez la charnière supérieure de la caisse et sortez la porte de l'axe de charnière inférieure.
6. Une fois la porte enlevée, enlevez les deux vis de la charnière inférieure.
7. Pour remettre en place la porte, inversez les étapes ci-dessus.



## CONSEILS POUR ÉCONOMISER L'ÉNERGIE



- Placez le réfrigérateur dans l'endroit le plus froid de la pièce, éloigné de la lumière du soleil et des conduits de chauffage ou bouches de chaleur. Ne le placez pas près d'une cuisinière, d'un four ou d'un lave-vaisselle.
- Mettez le réfrigérateur de niveau pour que les portes se ferment bien.
- Ne surchargez pas le réfrigérateur et ne bloquez pas les sorties d'air froid. Sinon, le réfrigérateur devra fonctionner plus longtemps et utiliser plus d'énergie. Ne recouvrez pas les clayettes de papier aluminium, de papier ciré ou d'essuie-tout. Cela risque d'entraver la circulation d'air froid et de diminuer l'efficacité du réfrigérateur et donc la conservation des aliments.

- Recouvrez les aliments et essayez les contenants avant de les placer au réfrigérateur, pour réduire la condensation à l'intérieur.
- Ouvrez la porte du réfrigérateur le moins possible. Prévoyez et placez ou prenez plusieurs articles en même temps et refermez aussitôt que possible.

## RÉGLAGE DE LA COMMANDE DE TEMPÉRATURE

### PÉRIODE DE REFROIDISSEMENT

- Pour assurer une bonne conservation des aliments, laissez le réfrigérateur refroidir complètement pendant 4 heures. Le réfrigérateur fonctionnera continuellement les quelques premières heures.

### COMMANDE DE TEMPÉRATURE

La commande de température est située à l'intérieur du réfrigérateur. L'appareil a été pré-réglé en usine afin d'assurer une température adéquate de rangement de la nourriture. Vous pouvez toutefois régler la commande de température selon vos besoins. Si vous désirez une température plus froide, tournez le bouton de commande vers COLDEST (LE PLUS FROID) puis attendez quelques heures, afin que la température se stabilise.

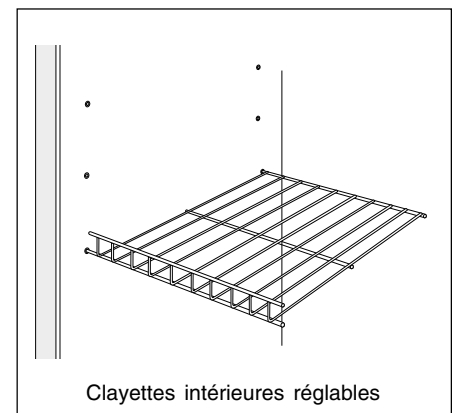
## CARACTÉRISTIQUES DU RÉFRIGÉRATEUR

### ÉCLAIRAGE INTÉRIEUR

La lampe s'allume automatiquement à l'ouverture de la porte. Pour remplacer l'ampoule, tournez la commande de température sur «OFF» (ARRÊT) et **débranchez le cordon**. Remplacez l'ampoule par une autre de même puissance.

### CLAYETTES INTÉRIEURES RÉGLABLES

Les clayettes intérieures à multi-positions peuvent être déplacées à toute position selon la dimension des paquets. Les entretoises d'expédition qui stabilisent les clayettes lors de l'expédition peuvent être enlevées et jetées.



### RÉGULATEUR DE GEL AUTOMATIQUE

Le régulateur de gel maintient la température intérieure du réfrigérateur à un niveau acceptable même lorsque le réfrigérateur est placé dans un endroit où la température ambiante descend jusqu'à 10 °F (-12 °C).

## ENTRETIEN ET NETTOYAGE

### NETTOYAGE DE L'INTÉRIEUR

Nettoyez les surfaces internes du réfrigérateur avec une solution composée de deux cuillères à soupe de bicarbonate de soude dans 1 litre (1 pinte) d'eau tiède. Rincez et séchez. Essorez bien votre chiffon ou votre éponge pour nettoyer autour des commandes ou des pièces électriques.

Lavez les pièces amovibles avec une solution de bicarbonate de soude comme ci-dessus, ou de l'eau tiède additionnée de détergent doux. Rincez et séchez.

**N'utilisez jamais** de tampon à récurer métallique, brosse, produit nettoyant abrasif ou solution alcaline sur une surface du réfrigérateur, quelle qu'elle soit. Ne lavez pas les parties amovibles dans un lave-vaisselle.

### NETTOYAGE DE L'EXTÉRIEUR

Lavez la caisse à l'eau tiède additionnée de détergent liquide doux. Rincez bien et séchez avec un linge propre et doux. Remettez en place les pièces et la nourriture.

**⚠ AVERTISSEMENT** Si le réfrigérateur est laissé ouvert pendant des congés, s'assurer que des enfants ne puissent rester emprisonnés à l'intérieur.

### CONSEILS DE VACANCES ET DÉMÉNAGEMENT

#### Vacances:

Si le réfrigérateur n'est pas utilisé pendant plusieurs mois:

- Enlevez toute la nourriture, tournez la commande sur «OFF» (ARRÊT) et débranchez le cordon.
- Nettoyez et séchez l'intérieur soigneusement.
- Laissez la porte ou le couvercle légèrement ouvert en bloquant au besoin, pour empêcher moisissure et odeur.

**Déplacement:** Avant de déplacer le réfrigérateur, respecter les consignes qui suivent pour prévenir les dommages:

- Débranchez le cordon.
- Retirez la nourriture et nettoyez le réfrigérateur.
- Fixer toutes les pièces mobiles en place à l'aide d'un ruban adhésif pour prévenir les dommages.
- Dans le véhicule, le réfrigérateur doit être dans une position droit. Assurez la sécurité du réfrigérateur, pour empêcher le mouvement. Couvrez l'extérieur avec une couverture, ou autre article similaire, pour protéger-le.

## INFORMATION SUR LE SERVICE APRÈS-VENTE (CANADA)

Pour éviter tout dérangement et tous frais inutiles, faites quelques vérifications simples avant d'appeler le dépositaire de service. Vous trouverez les problèmes courants et leurs solutions dans la liste de contrôle anti-panne de votre guide.

Si vous ne pouvez repérer la cause du problème, appelez le dépositaire FRIGIDAIRE –PIÈCES ET SERVICE.

### FRIGIDAIRE – PIÈCES ET SERVICE

Tous les appareils Frigidaire sont appuyés par FRIGIDAIRE –PIÈCES ET SERVICE, l'un des plus grands réseaux de pièces et service après-vente au Canada.

La réputation de Frigidaire se traduit pour vous par un service professionnel complet qu'effectuera l'un de nos techniciens expérimentés, se chiffrant en centaines dans tout le pays.

#### FRIGIDAIRE – PIÈCES ET SERVICE

7075 Ordan Drive  
Mississauga, Ontario  
L5T 1K6

**Inscrivez ci-dessous le nom, adresse et numéro de téléphone** de votre dépositaire de service.

---

---

---

---

**Les spécifications et caractéristiques de l'appareil, décrites ou illustrées, peuvent être modifiées sans préavis.**



## **GARANTIE (CANADA) RÉFRIGÉRATEURS SANS GIVRE**

### **GARANT:**

#### **FRIGIDAIRE HOME PRODUCTS OF CANADA**

7075 Ordan Drive  
Mississauga, Ontario  
L5T 1K6

Ce réfrigérateur est un produit qui porte l'une des marques de Electrolux Home Products.

Pour obtenir le service prévu par cette garantie, communiquer avec votre détaillant, un dépositaire de service autorisé par **FRIGIDAIRE - PIÈCES ET SERVICE**, ou:

#### **ELECTROLUX HOME PRODUCTS PIÈCES ET SERVICE**

7075 Ordan Drive  
Mississauga, Ontario  
L5T 1K6  
Tel: (905) 565-9200  
Fax: (905) 565-0937

### **DURÉE DE LA GARANTIE:**

Pour la première année suivant la date d'achat par le consommateur/propriétaire initial:

Pour la deuxième, la troisième, la quatrième, la cinquième, la sixième, la septième, la huitième, la neuvième et la dixième année suivant la date d'achat par le consommateur/propriétaire initial:

### **LE GARANT, PAR L'ENTREMISE DE SON DÉPOSITAIRE DE SERVICE AUTORISÉ:**

Réparera ou remplacera gratuitement toute pièce défectueuse (service et main-d'oeuvre compris pour l'installation).

Réparera ou remplacera gratuitement (service et main-d'oeuvre compris pour l'installation) toute pièce défectueuse du système de réfrigération comprenant le compresseur, l'évaporateur, le condenseur, la tuyauterie, le déshydrateur et la charge de réfrigérant.

### **LA GARANTIE S'APPLIQUE:**

- a) Aux produits achetés et installés au Canada pour l'usage personnel d'une seule famille.
- b) Aux défauts dus ou consécutifs à la fabrication.
- c) Aux produits portant un numéro de modèle et un numéro de série du fabricant, lisibles.
- d) Aux pièces de rechange seulement pendant la durée de la garantie initiale qui reste à courir.

### **LA GARANTIE NE S'APPLIQUE PAS:**

- a) Aux dommages causés par le transport.
- b) À la fourniture ni au remplacement des pièces en porcelaine et en verre, ni aux fusibles et ampoules.
- c) Aux pièces ni au service fournis ou obtenus par d'autres que **FRIGIDAIRE - PIÈCES ET SERVICE** ou un dépositaire de service autorisé par **FRIGIDAIRE - PIÈCES ET SERVICE**.
- d) Aux dommages ni aux défaillances résultant d'usage abusif, incorrect ou commercial.

### **RESPONSABILITÉ DU CONSOMMATEUR/PROPRIÉTAIRE:**

- a) Fournir la preuve de la date originale d'achat au moyen d'une facture ou d'une justification du paiement faisant état de la date d'achat.
- b) Payer tous les frais nécessaires pour que l'appareil soit accessible pour être réparé.
- c) Assurer une alimentation électrique suffisante et le raccordement de l'appareil à celle-ci.
- d) Installation adéquate, réglage exact des commandes et entretien du fini.

Cette garantie est en sus de toute garantie légale contenue dans toute législation applicable. Les conditions de cette garantie ne sont pas destinées à exclure ou à limiter vos droits en vertu de ces lois. Le garant se réserve toutefois le droit de facturer les frais de transport et de déplacement lorsque la distance est supérieure à 48 kilomètres (30 milles) du dépositaire de service autorisé par **FRIGIDAIRE - PIÈCES ET SERVICE** le plus proche.

Cette garantie, plus les garanties légales déjà mentionnées, sont les seules garanties fournies au consommateur/propriétaire pour ce produit.

<b>LISTE DE CONTRÔLE ANTI-PANNE</b>	Avant d'appeler un agent de service, consultez cette liste. Vous pourriez économiser temps et argent. Cette liste décrit les situations courantes qui ne sont causées ni par un défaut de fabrication ni par un matériau défectueux.	
<b>PROBLÈME</b>	<b>CAUSE</b>	<b>CORRECTION</b>
<b>FONCTIONNEMENT DU RÉFRIGÉRATEUR</b>		
<b>Le réfrigérateur ne fonctionne pas.</b>	<ul style="list-style-type: none"> <li>• Le réfrigérateur est branché à un circuit qui a l'interruption de terre-défaut.</li> <li>• La commande est à la position «OFF» (ARRÊT).</li> <li>• Le réfrigérateur n'est peut être pas branché ou la prise mal branchée.</li> <li>• Le fusible ou le coupe-circuit a sauté ou s'est déclenché.</li> <li>• Panne de courant.</li> </ul>	<ul style="list-style-type: none"> <li>• Utilisez un autre circuit. Si vous êtes incertain de la prise, la font contrôler par un technicien certifié.</li> <li>• Voyez <b>Réglage de la commande de température</b>.</li> <li>• Assurez-vous que la fiche est bien enfoncée dans la prise électrique.</li> <li>• Vérifiez/réenclenchez le coupe-circuit ou remplacez le fusible par un fusible de 15 A à action différée.</li> <li>• Vérifiez les lumières de la maison. Appelez la compagnie d'électricité de votre région.</li> </ul>
<b>Le réfrigérateur fonctionne trop ou trop longtemps.</b>	<ul style="list-style-type: none"> <li>• La température ambiante ou à l'extérieur est élevée.</li> <li>• Le réfrigérateur a récemment été débranché, pendant quelque temps.</li> <li>• De grandes quantités d'aliments chauds ou tièdes ont été rangées récemment.</li> <li>• Le réfrigérateur est resté ouvert trop longtemps ou trop fréquemment.</li> <li>• Le réfrigérateur est peut-être légèrement ouvert.</li> <li>• La commande est placée en position trop froide.</li> <li>• Le joint du réfrigérateur est sale, usé, fendillé ou mal ajusté.</li> </ul>	<ul style="list-style-type: none"> <li>• Dans ces conditions, il est normal que le réfrigérateur fonctionne plus.</li> <li>• Le réfrigérateur a besoin de 4 heures pour refroidir complètement.</li> <li>• Les aliments chauds font davantage fonctionner le réfrigérateur et ce, jusqu'à ce qu'il ait atteint la température désirée.</li> <li>• De l'air chaud y entre à chaque fois qu'il est ouvert. Ouvrez-le moins souvent.</li> <li>• Voyez "<b>PROBLÈMES DE PORTE</b>".</li> <li>• Tournez la commande sur un réglage plus chaud. Attendez plusieurs heures que la température se stabilise.</li> <li>• Nettoyez ou remplacez le joint. Des fuites dans le joint peuvent faire fonctionner le réfrigérateur plus longtemps afin de maintenir la température désirée.</li> </ul>
<b>Les températures à l'intérieur du réfrigérateur sont trop basses.</b>	<ul style="list-style-type: none"> <li>• La commande de température est en position trop froide.</li> </ul>	<ul style="list-style-type: none"> <li>• Tournez la commande à un réglage plus chaud. Attendez plusieurs heures que la température se stabilise.</li> </ul>
<b>Les températures à l'intérieur du réfrigérateur sont trop élevées.</b>	<ul style="list-style-type: none"> <li>• La commande de température est en position trop chaude.</li> <li>• Le réfrigérateur est resté ouvert trop longtemps ou trop fréquemment.</li> <li>• Le réfrigérateur est peut-être légèrement ouvert.</li> <li>• De grandes quantités d'aliments chauds ou tièdes ont été rangées récemment.</li> <li>• Le réfrigérateur a récemment été débranché, pendant quelque temps.</li> </ul>	<ul style="list-style-type: none"> <li>• Tournez la commande à un réglage plus froid. Attendez plusieurs heures que la température se stabilise.</li> <li>• De l'air chaud y entre à chaque fois qu'il est ouvert. Ouvrez-le moins souvent.</li> <li>• Voyez "<b>PROBLÈMES DE PORTE</b>".</li> <li>• Attendez que le réfrigérateur ait atteint la température choisie.</li> <li>• Le réfrigérateur a besoin de 4 heures pour se refroidir complètement.</li> </ul>
<b>La température de la surface externe est élevée.</b>	<ul style="list-style-type: none"> <li>• La caisse du réfrigérateur est toujours tiède au toucher.</li> </ul>	<ul style="list-style-type: none"> <li>• Le réfrigérateur fonctionne normalement, en retirant l'air chaud de l'intérieur.</li> </ul>
<b>BRUITS</b>		
<b>Bruits plus élevés lorsque le réfrigérateur est en marche.</b>	<ul style="list-style-type: none"> <li>• Les réfrigérateurs d'aujourd'hui ont plus de capacité de rangement et des températures plus uniformes.</li> </ul>	<ul style="list-style-type: none"> <li>• Ceci est normal. Ils ont besoin d'un compresseur haute vitesse.</li> </ul>

PROBLÈME	CAUSE	CORRECTION
<b>BRUITS (Suite)</b>		
Bruits plus élevés lorsque le compresseur se met en marche.	<ul style="list-style-type: none"> <li>Le réfrigérateur fonctionne à de plus hautes pressions pendant la mise en marche du cycle de refroidissement.</li> </ul>	<ul style="list-style-type: none"> <li>Ceci est normal. Les bruits se stabilisent ou disparaissent alors que réfrigérateur continue à fonctionner.</li> </ul>
Le ventilateur fonctionne lorsque la température de la pièce est inférieure à 7°C (45°F.)	<ul style="list-style-type: none"> <li>Le thermostat extérieur a mis en marche la chaufferette et le ventilateur.</li> </ul>	<ul style="list-style-type: none"> <li>Ceci est normal.</li> </ul>
Craquements lorsque le compresseur se met en marche.	<ul style="list-style-type: none"> <li>Les composants métalliques se dilatent et se contractent comme des tuyaux d'eau chaude.</li> </ul>	<ul style="list-style-type: none"> <li>Ceci est normal. Le bruit se stabilise ou disparaît alors que le réfrigérateur continue à fonctionner.</li> </ul>
Bruits de bouillonnement semblables à de l'eau qui bout.	<ul style="list-style-type: none"> <li>Le réfrigérant (utilisé pour refroidir le réfrigérateur) circule dans le système.</li> </ul>	<ul style="list-style-type: none"> <li>Ceci est normal.</li> </ul>
Bruits de ferraille ou de vibration.	<ul style="list-style-type: none"> <li>Le réfrigérateur n'est pas de niveau. Le réfrigérateur oscille lorsqu'on le bouge à peine.</li> <li>Le réfrigérateur touche le mur.</li> </ul>	<ul style="list-style-type: none"> <li>Il oscille lorsqu'on le bouge à peine. Réglez les pieds de mise à niveau. Voyez "Mise à niveau" sous <b>Pour bien commencer</b>.</li> <li>Refaites la mise à niveau du réfrigérateur ou déplacez-le légèrement. Voyez "Mise à niveau" sous <b>Pour bien commencer</b>.</li> </ul>
Claquement.	<ul style="list-style-type: none"> <li>La commande de refroidissement fait démarrer et arrêter le réfrigérateur.</li> </ul>	<ul style="list-style-type: none"> <li>Ceci est normal.</li> </ul>
<b>EAU/HUMIDITÉ/GIVRE À L'INTÉRIEUR DU RÉFRIGÉRATEUR</b>		
De la condensation se forme sur les parois intérieures.	<ul style="list-style-type: none"> <li>Le temps est chaud et humide, ce qui augmente l'accumulation sur les parois intérieures.</li> <li>Le réfrigérateur est légèrement ouvert.</li> <li>Le réfrigérateur est resté ouvert trop longtemps ou trop souvent.</li> </ul>	<ul style="list-style-type: none"> <li>Ceci est normal.</li> <li>Voyez "<b>PROBLÈMES DE PORTE</b>".</li> <li>Ouvrez-le moins souvent.</li> </ul>
<b>EAU/HUMIDITÉ/GIVRE À L'EXTÉRIEUR DU RÉFRIGÉRATEUR</b>		
De la condensation se forme à l'extérieur du réfrigérateur.	<ul style="list-style-type: none"> <li>Le réfrigérateur est légèrement ouvert, d'où rencontre de l'air froid venant de l'intérieur du réfrigérateur avec l'air chaud et humide ambiant.</li> </ul>	<ul style="list-style-type: none"> <li>Voyez "<b>PROBLÈMES DE PORTE</b>".</li> </ul>
<b>ODEUR DANS LE RÉFRIGÉRATEUR</b>		
Odeurs dans le réfrigérateur.	<ul style="list-style-type: none"> <li>L'intérieur doit être nettoyé.</li> <li>Des aliments dégageant une odeur forte sont dans le réfrigérateur.</li> </ul>	<ul style="list-style-type: none"> <li>Nettoyez l'intérieur avec éponge, eau tiède et bicarbonate de soude.</li> <li>Couvrez hermétiquement ces aliments.</li> </ul>
<b>PROBLÈMES DE PORTE</b>		
La porte ne ferme pas.	<ul style="list-style-type: none"> <li>Le réfrigérateur n'est pas de niveau. Le réfrigérateur oscille lorsqu'on le bouge à peine.</li> </ul>	<ul style="list-style-type: none"> <li>Cette condition peut déformer la caisse et désaligner la porte. Voyez "Mise à niveau" sous <b>Pour bien commencer</b>.</li> </ul>
<b>L'AMPOULE NE S'ALLUME PAS</b>		
L'ampoule ne s'allume pas.	<ul style="list-style-type: none"> <li>L'ampoule est grillée.</li> <li>Il n'y a pas de courant qui arrive au réfrigérateur.</li> </ul>	<ul style="list-style-type: none"> <li>Voyez "Éclairage intérieur" sous <b>Caractéristiques du réfrigérateur</b>.</li> <li>Voyez "<b>FONCTIONNEMENT DU RÉFRIGÉRATEUR</b>".</li> </ul>

